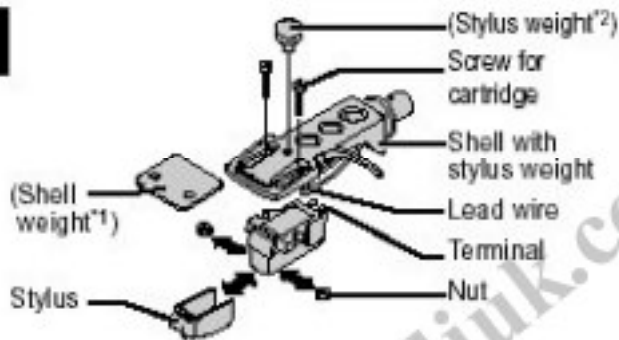
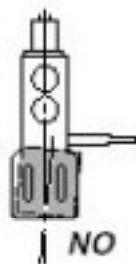
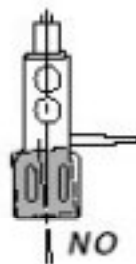
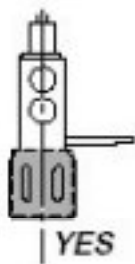
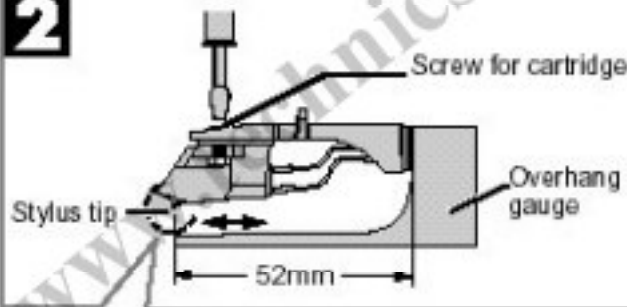


Technics Overhang Gauge

B**1****2**

■ Preparation of the cartridge **B**

1 Attach a cartridge (not included).

Follow the cartridge's instructions to correctly attach it to the head shell.

- Use the included shell weight ^{*1} when using a light cartridge (3.5 to 6.5 grams).
- Use the stylus weight ^{*2} to increase stylus pressure (→ page 6). Leave it off until stylus pressure has been adjusted.

2 Adjust the overhang.

Fit the included overhang gauge to the head shell. Adjust the overhang and facing of the cartridge and tighten the screws.

- Line the point of the stylus up with the end of the gauge.
- The cartridge should be parallel on the shell head.